

## DESCRIPTION

The UFLD LED floodlight luminaire combines high-efficiency optics, superior thermal management and energy efficiency in a cost-effective solution. The compact, robust design incorporates a separate driver compartment for maximum heat dissipation to insure longevity of both the fixture and the optics. The UFLD luminaire uses precision engineered optics delivering superior uniformity and excellent illumination to the targeted application. Typical applications include area lighting for security, building facade lighting, accent and signage lighting in both commercial and industrial applications. The UFLD luminaire is UL/cUL listed for wet locations and is IP66 rated.

## SPECIFICATION FEATURES

### Construction

Heavy-duty, die cast aluminum housing, driver compartment and driver door. A separate driver compartment and external fins provide optimal thermal management that result in longer LED and driver life. The housing, optical chamber and driver compartment are IP66 rated. Access to the driver for maintenance is achieved with a removable driver door using pan head screws. A one-piece silicone gasket seals the door to the fixture housing. The fixture is 3G vibration rated (ANSI C136.31) to ensure durability in area and site lighting applications. Suitable for mounting within 4' (1.2m) of the ground.

### Optics

The LED chamber incorporates a vacuum metalized reflector that provides high-efficiency illumination. Optics are precisely designed to shape the NEMA type 6H x 6V wide distribution and 3H x 3V spot distribution, maximizing efficiency and application spacing. Clear glass tempered lens with full circumference form-in-place silicone gasket protects the optics from damage. Offered standard in

4000K (+/- 275K) CCT and minimum 70 CRI. Optional 5700K CCT, 5000K CCT and 3000K CCT and minimum 70 CRI are available.

### Electrical

LED driver is mounted to the removable die-cast aluminum door for optimal heat sinking and ease of maintenance. 120-277V 50/60Hz, 347V 60Hz or 480V 60Hz operation. Integral 6kV surge is standard. 10kV/10kA common- and differential- mode surge protection available as an option. 0-10V dimming driver is available to accommodate controls capability such as dimming and occupancy. Available with 3-PIN or 7-PIN NEMA photocontrol receptacles. Suitable for ambient temperatures from -40°C to 40°C. Optional 50°C HA (high ambient) available. 90% lumen maintenance greater than 50,000 hours per IESNA TM-21.

### Accessories

Heavy-duty steel top and side visors control glare and spill light. 1/8" thick UV stabilized vandal guard shields glass lens from impact when mounted at low levels. Easy to install wire guard features a heavy-gauge welded

construction with corrosion resistant polyester powder coat finish to protect glass from projected objects.

### Mounting

Mounting options include an integral die-cast aluminum slipfitter that is preset to a tilt of 45°. The knuckle base is supplied with a tooth lock adjustment that can be adjusted in 5° increments. Visual 15° adjustment indicators on the knuckle allow for 180° field rotation of the floodlight assembly. The slipfitter fits standard 2-3/8"-3" O.D. tenon. The trunnion mounting includes a 3/16" polyester powder coated galvanized steel trunnion with a 16/3 STW-A cord. The trunnion mount uses an interlocking slide adjustment that is locked in place with a set screw.

### Finish

Housing and cast parts finished in five-stage super TGIC polyester powder coat paint, 2.5 mil nominal thickness for superior protection against fade and wear.

### Warranty

Five-year warranty.

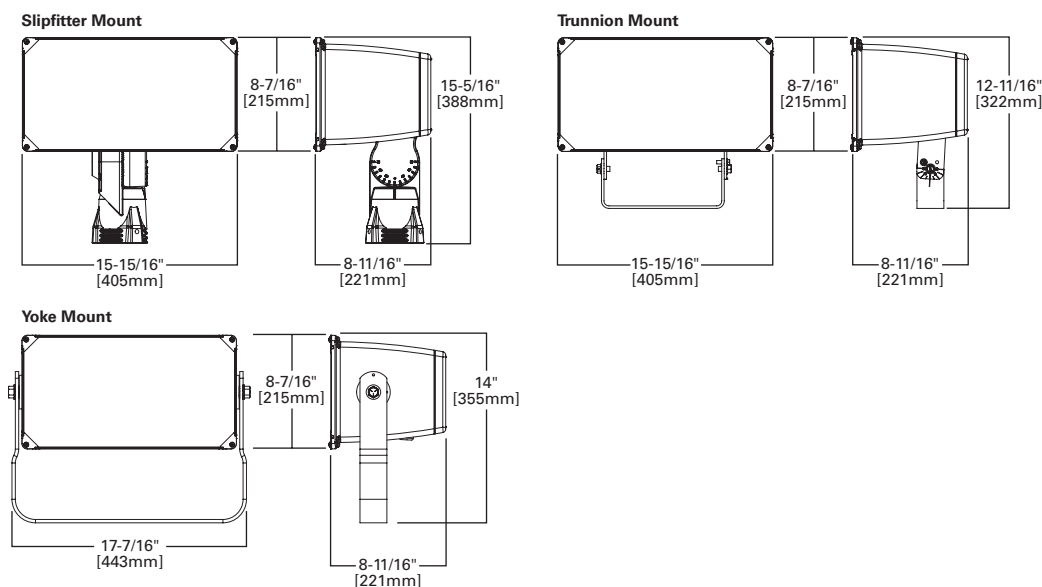


## UFLD UTILITY FLOOD

Solid State LED

FLOODLIGHT

## DIMENSIONS



### CERTIFICATION DATA

UL/cUL Wet Location Listed  
IP66 Fixture and Optical Chamber  
LM79/LM80 Compliant  
3G Vibration Rated  
RoHS Compliant

### ENERGY DATA

**Electronic LED Driver**  
> 0.9 Power Factor  
< 20% Total Harmonic Distortion  
120V 50/60Hz, 347V/60Hz and 480V/60Hz  
-40°C Minimum Ambient Temperature Rating  
+40°C Maximum Ambient Temperature Rating

### EPA

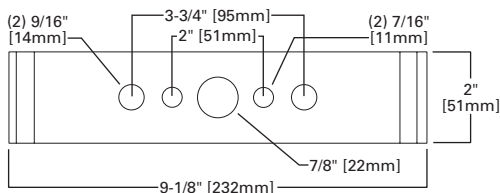
Effective Projected Area (Sq. Ft.): 1.25

### SHIPPING DATA

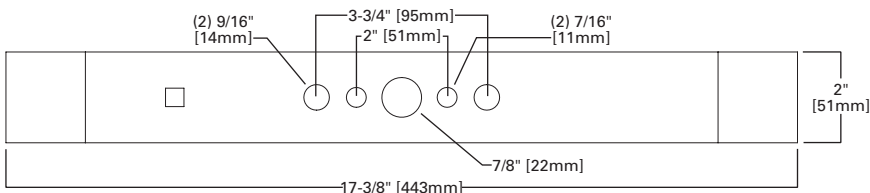
Approximate Net Weight:  
20 lbs. (9.09 kgs.)

**DRILLING PATTERNS**

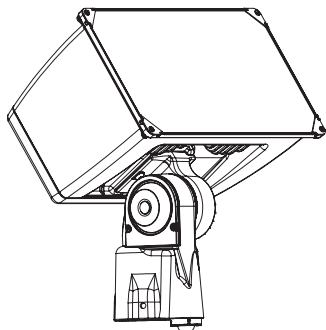
**Trunnion Mount**



**Yoke Mount**

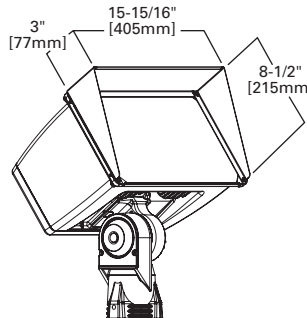


**OPTIONAL INTEGRATED SENSOR**

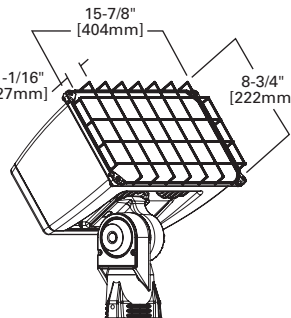


**ACCESSORIES**

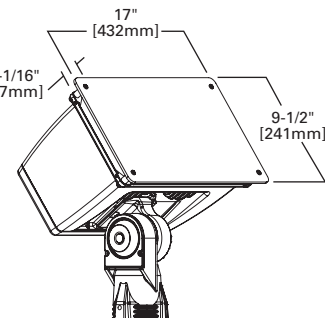
**Top and Side Visors**



**Wire Guard**



**Vandal Shield**



**POWER AND LUMENS**

Light Engine	6H x 6V Wide Distribution		3H x 3V Spot Distribution	
	C25 LED	C40 LED	C25 LED	C40 LED
Power (Watts) @ 120V	85	128	93	143
Current (A) @ 120V	0.708	1.070	0.778	1.190
Current (A) @ 277V	0.340	0.465	0.340	0.531
Current (A) @ 347V	0.251	0.371	0.271	0.419
Current (A) @ 480V	0.195	0.273	0.207	0.320
3000K Lumens	10,122	16,268	10,128	13,916
4000K Lumens	10,530	16,932	10,272	14,113
5000K Lumens	10,383	16,086	9,874	13,694
5700K Lumens	10,217	16,421	9,967	13,567

**LUMEN MAINTENANCE**

Distribution	Ambient Temperature	TM-21 Lumen Maintenance (50,000 Hours)	Theoretical L70 (Hours)
6H x 6V Wide	25°C	> 92.61%	> 393,000
	40°C	> 94.11%	> 358,000
	50°C	> 93.45%	> 320,000
3H x 3V Spot	25°C	> 92.18%	> 262,000
	40°C	> 91.81%	> 249,000

**LUMEN MULTIPLIER**

Ambient Temperature	Lumen Multiplier
10°C	1.03
15°C	1.02
25°C	1.00
40°C	0.97
50°C	0.96

ORDERING INFORMATION

Sample Number: UFLD-C40-D-U-66-S-AP-4N7

Product Family	Light Engine <sup>1</sup>	Driver <sup>2</sup>	Voltage	Distribution	Mounting	Color
UFLD=Utility LED Floodlight	C25=10,400 Nominal Lumens C40=15,500 Nominal Lumens	E=Non-Dimming D=Dimming (0-10V) <sup>3</sup>	U=120-277V 8=480V <sup>4</sup> 9=347V <sup>4</sup>	66=NEMA 6Hx6V Wide 33=NEMA 3Hx3V Spot	C=Slipfitter, 2-3/8"-3" O.D. (Cord through housing) S=Slipfitter, 2-3/8"-3" O.D. (Leads through slipfitter) T=Trunnion Y=Yoke	AP=Grey (Standard) BZ=Bronze BK=Black WH=White
<b>Options</b> (Add as Suffix)				<b>Accessories</b> (Order Separately) <sup>10</sup>		
7030=70 CRI / 3000K <sup>5</sup> 7050=70 CRI / 5000K <sup>5</sup> 7060=70 CRI / 5700K <sup>5</sup> 4=NEMA 3-PIN Twistlock Photocontrol Receptacle 4N7=NEMA 7-PIN Twistlock Photocontrol Receptacle <sup>6</sup> 10K=10kV/10kA UL 1449 Surge Protective Device HA=50°C High Ambient Temperature <sup>7</sup> D10=<10% Dimming <sup>6</sup> MSP/DIM-L12=Integrated Sensor for Dimming Operation, 8' - 12' Mounting Height <sup>8,9</sup> MSP/DIM-L30=Integrated Sensor for Dimming Operation, 12' - 30' Mounting Height <sup>8,9</sup> MSP-L12=Integrated Sensor for ON/OFF Operation, 8' - 12' Mounting Height <sup>8,9</sup> MSP-L30=Integrated Sensor for ON/OFF Operation, 12' - 30' Mounting Height <sup>8,9</sup>				FA63=3" O.D. Surface Mount Bracket <sup>11</sup> OA1223=10kV/10kA UL 1449 Surge Protective Device Replacement OA/RA1013=Photocontrol Shorting Cap OA/RA1014=NEMA Photocontrol - 120V OA/RA1016=NEMA Photocontrol - Multi-Tap OA/RA1027=NEMA Photocontrol - 480V OA/RA1201=NEMA Photocontrol - 347V RAB-XX=Right Angle Pipe Bracket for Slipfitter SAB-XX=Steel Angle Bracket for Trunnion TYS-XX=Slipfitter Adapter for 2-3/8", 3" or 3-1/2" O.D. Tenon <sup>12</sup> TS2/UFLD-XX=Top and Side Visors <sup>13</sup> VS/UFLD=Vandal Shield <sup>13</sup> WG/UFLD=Wire Guard <sup>13</sup> ISHH-01=Integrated Sensor Programming Remote LLPC=Long-life Photocontrol <sup>14</sup> LLPC-FO=Long-life Photocontrol (Fail-Off)		

- NOTES:**
- Standard 4000K CCT and minimum 70 CRI. Consult IES file for actual lumen output.
  - Consult factory for driver surge protection values.
  - Must specify 4N7 option.
  - Only for use with 480V Wye systems. Per NEC, not for use with ungrounded systems, impedance grounded systems or corner grounded systems (commonly known as Three Phase Three Wire Delta, Three Phase High Leg Delta and Three Phase Corner Grounded Delta systems)
  - Extended lead times apply. Use dedicated IES files for 3000K, 5000K, and 5700K when performing layouts. These files are published on the UFLD luminaire product page on the website.
  - Must order with dimming driver.
  - Not available with 3H x 3V spot distribution.
  - 0-10V dimming driver required. Integrated sensor option only available in slipfitter mounting.
  - Not available with Photocontrol.
  - Replace XX with color designation. Additional brackets and adaptors available on the poles product page on the website.
  - Not available with tenon mount.
  - Not available with slipfitter mount.
  - Cannot combine TS2 (Top and Side Visor), VS (Vandal Shield), or WG (Wire Guard), limited to one external guard per fixture.
  - Sold as accessory. Not covered under luminaire warranty.