



LED Flood™ Series ACP2LED

American Compact LED Floodlight

PRODUCT OVERVIEW



Applications:

- | | |
|------------------|------------------|
| Auto dealerships | Shopping centers |
| Schools | Parking lots |
| Churches | Substations |
| Industrial sites | Building facades |

Features:

Mechanical

Low copper content die cast aluminum A360 alloy castings. Die cast aluminum housing has integral heat sink first to optimize thermal management through conductive and convective cooling. Bolted or stainless steel latch option disengages top electrical cover for easy access to LED drivers, surge module, and terminal block. Vibration rated to 2G applications per ANSI C136.31-2001. IP 66 rated luminaire per IEC60068-2-3. Superdurable TGIC thermoset powder coat over standard pretreat yields a finish that achieves a scribe creepage of 8 after 5,000 hours exposure to salt fog chamber. External fasteners shall be stainless steel. Yoke shall be painted steel or galvanized. Knuckle shall be adjustable to fit 2.375 inch to 2.875 tenon.

Electrical

Class I drivers rated for 100,000 hours life.
 Quick disconnect connectors for ease of installation and maintenance.
 Surge protection meets 10KV/5KA per ANSI/IEEE62.41.
 Three pin twist off photocontrol receptacle is standard and is ROAM compatible.
 Driver power factor is 90% minimum.
 Driver meets maximum total harmonic distortion (THD) of 20% and are ROHS compliant.

Optical

Multi die LED chip on board available with 3000K, 4000K and 5000K (70 CRI) color temperatures.
 Segmented Miro 4™ internal reflectors are designed for superior field to beam ratios, uniformity, and spacing.
 NEMA pattern choice of 6x5, 6x6
 Optional shielding available to control light trespass and uplight.
 Optical enclosure shall be glass lens.

Controls

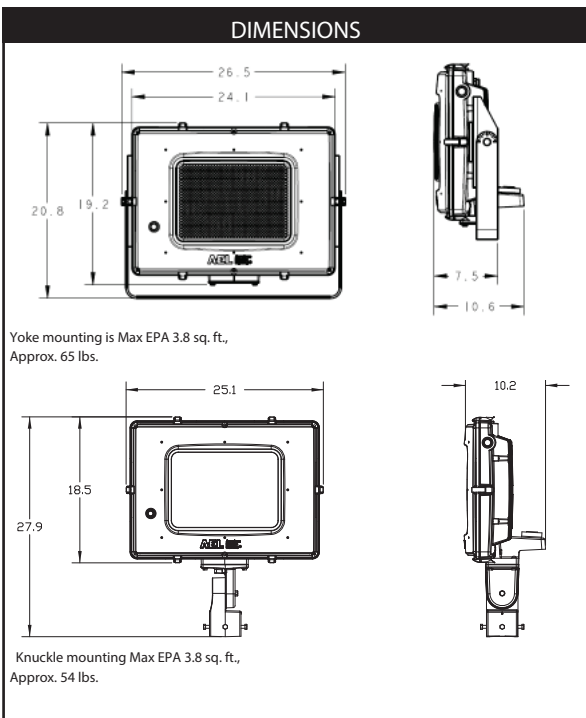
NEMA photocontrol receptacle is standard
 ROAM smart controls system (sold separately)
 Photocontrol for solid-state lighting (available with PCSS option) meets ANSI C136.10 criteria

Warranty & Standards

Five year warranty. Full warranty terms located at www.acuitybrands.com/CustomerResources/Terms-and-conditions.aspx

UL/CUL Listed

Suitable for ambient temperature -40C to 40C



LED Flood™ Series ACP2LED

American Compact LED Floodlight

ORDERING INFORMATION

Example: ACP2LED 710A 120 66 4K TM BZ

Series	Performance Package	Voltage	Nema Pattern	Color Temperature (CCT)
ACP2LED Flood	710A 7 Modules, 1050mA driver 810A 8 Modules, 1050mA driver 910A 9 Modules, 1050mA driver	120 120V 347 347V 480 480V MVOLT Multivolt (120-277)	65 6 X 5 66 6 X 6	3K 3000K 4K 4000K 5K 5000K

Mounting	Paint	Cord Length ^{1,5}	Cord Type ^{1,5}	Misc
TM Tenon Slipfitter - Knuckle YK ¹ Yoke Painted YG ¹ Yoke Galvanized	BZ Bronze BK Black GY Gray WH White GI Graphite	04 4' 05 5' 06 6' 08 8' 10 10' 12 12' 15 15' 20 20' 25 25' 30 30'	63 16-3 43 14-3 23 12-3	TL Tool Less Entry NL Nema Label

Options

Controls

(blank)⁴ 3-Pin Photocontrol Receptacle (standard)
 P5⁴ 5-Pin Photocontrol Receptacle
 P7⁴ 7-Pin Photocontrol Receptacle
 NR² No Photocontrol Receptacle
 PCSS⁴ Solid State Lighting Photocontrol (120-277V)
 PCL1⁴ Solid State Long Life Photocontrol (120-277V)
 PCL3⁴ Solid State Long Life Photocontrol (347V)
 PCL4⁴ Solid State Long Life Photocontrol (480V)
 Dimming Control
 DM^{2,3} 0-10V Dimming Control (controls provided by others)

Accessories (Shipped Separately)

ACP2LEDFV-__^{6,7} Full Visor
 ACP2LEDUBV-__^{6,7} Upper/Bottom Visor
 ACP2LEDVG⁹ Vandal Guard
 ACP2LEDWG¹⁰ Wire Guard

Notes:

- Requires cord length and cord type
- Not available with DM, NR, PCL1, PCL3, PCL4, PCSS, SH, or VE
- Not available with DE, VE options
- Not available with NR
- Not available with TM mounting. Must be combined with a cord type. EX: 0463
- Paint designator needed.
- Not compatible with WG, VG, or UBV
- Not compatible with WG, VG, or FV
- Not compatible with WG, FV, or UBV
- Not compatible with FV, UBV or VG

LED Flood™ Series ACP2LED

American Compact LED Floodlight

Performance Packages

ACP2 LED	Distribution	Lumens	Input operating Amps						Input Watts	LPW
		4K	120V	208V	240V	277V	347V	480V		
07 10A			2.57	1.50	1.31	1.16	0.89	0.68		
	65	37,569							307	122
	66	37,898							307	123
08 10A			2.94	1.71	1.50	1.33	1.02	0.79		
	65	43,168							349	124
	66	43,546							349	125
09 10A			3.27	1.90	1.66	1.45	1.13	0.84		
	65	47,588							391	122
	66	48,004							391	123

Design Data

